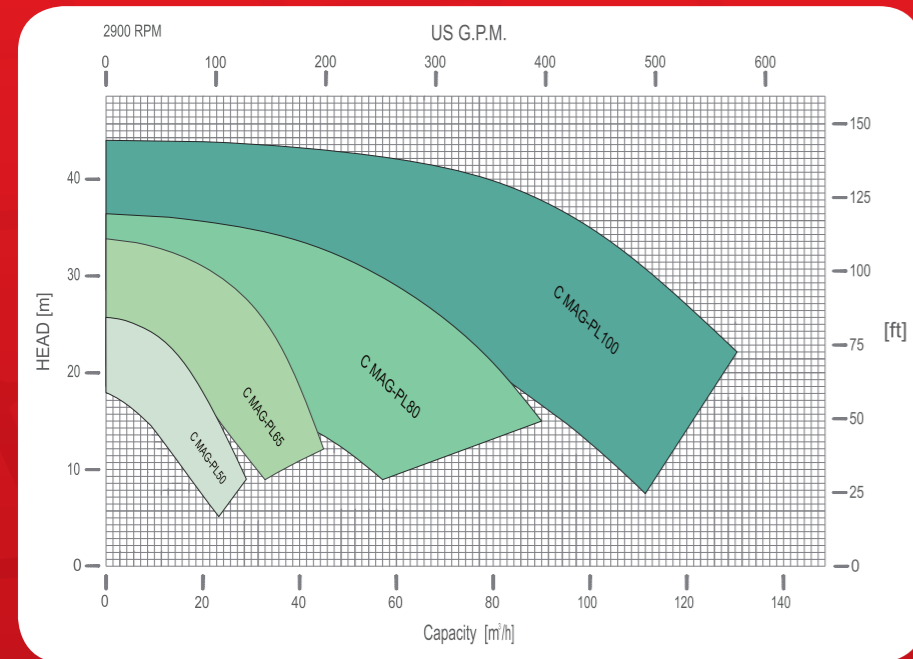


Pump construction

Close-coupled drivers are conventional drivers mounted directly to pumps frame. No base, coupling or guards are required for this mounting style.

Universal Flanges Connections that meet DIN PN16 and the ANSI 150#.

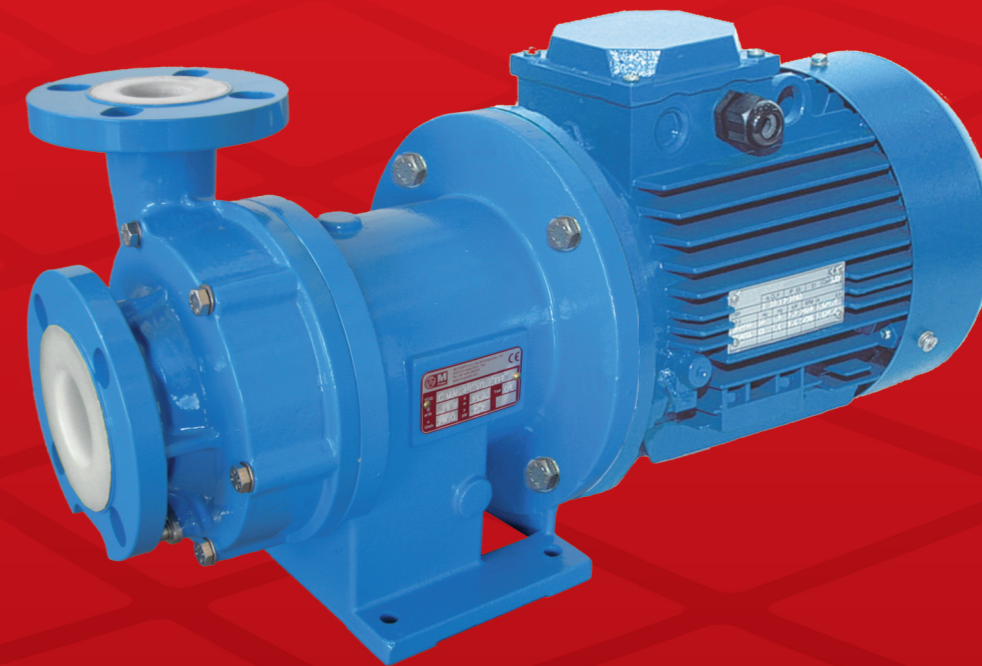
Performance curves



Operating Limits

- Max viscosity: 200 cSt
- Max system pressure: 16 bar
- Flow up: to 140mc/h
- Head up: to 44m
- Temperature ratings:
from -120 °F (-85 °C)
to +250 °F (+120 °C)
- Electric motors: from 1,5 to 18,5 kW
- ATEX II - / 3G cbk II CT5

HORIZONTAL, SEALLESS PFA LINED CENTRIFUGAL PUMP WITH PERMANENT MAGNET DRIVE SYSTEM, NO MECHANICAL SEAL



C MAG-PL

Manufactured by:



A unit of
Mischiatti
GROUP

M PUMPS s.r.l. - Via dell'Artigianato, 120
45015 Corbola (Ro) - Italy - www.mpumps.it
Tel. +39 0426 346304 - Fax +39 0426 349126

For more information please contact:



C MAG-PL Series

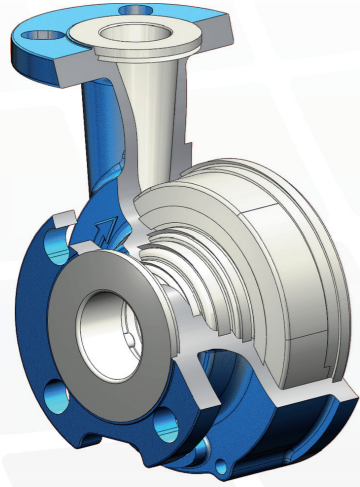
The separation of liquid chamber/atmosphere by means of an isolation shell is the best solution to pump aggressive chemical, high purity liquids and liquids difficult to seal.

The hermetic sealless is the best solution for the chemical and pharmaceutical industry.

A wide range of pumps covers the different applications.

PUMP DETAILS

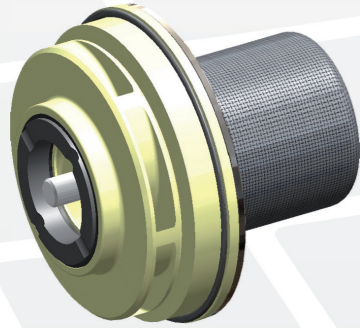
Epoxy primer and polyacrylic enamel water-based painting for the best quality resistance linked to the environmental respect.



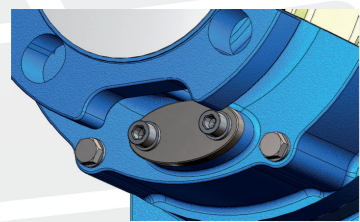
Non-metallic, lined magnetic drive pumps utilize ductile cast iron outer shell, the front casing liners shall be one single piece, transfer moulded designed with flat faced flanges, made of PFA 5mm minimum thickness.

RWP QUICK CARTRIDGE KIT

to guarantee an easy and fast maintenance, materials PP and PVDF.

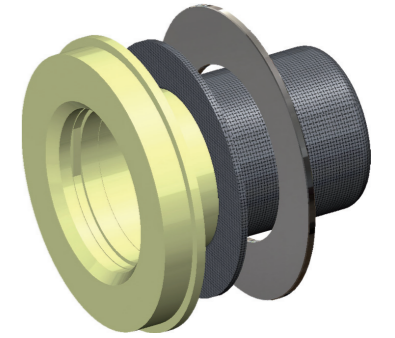
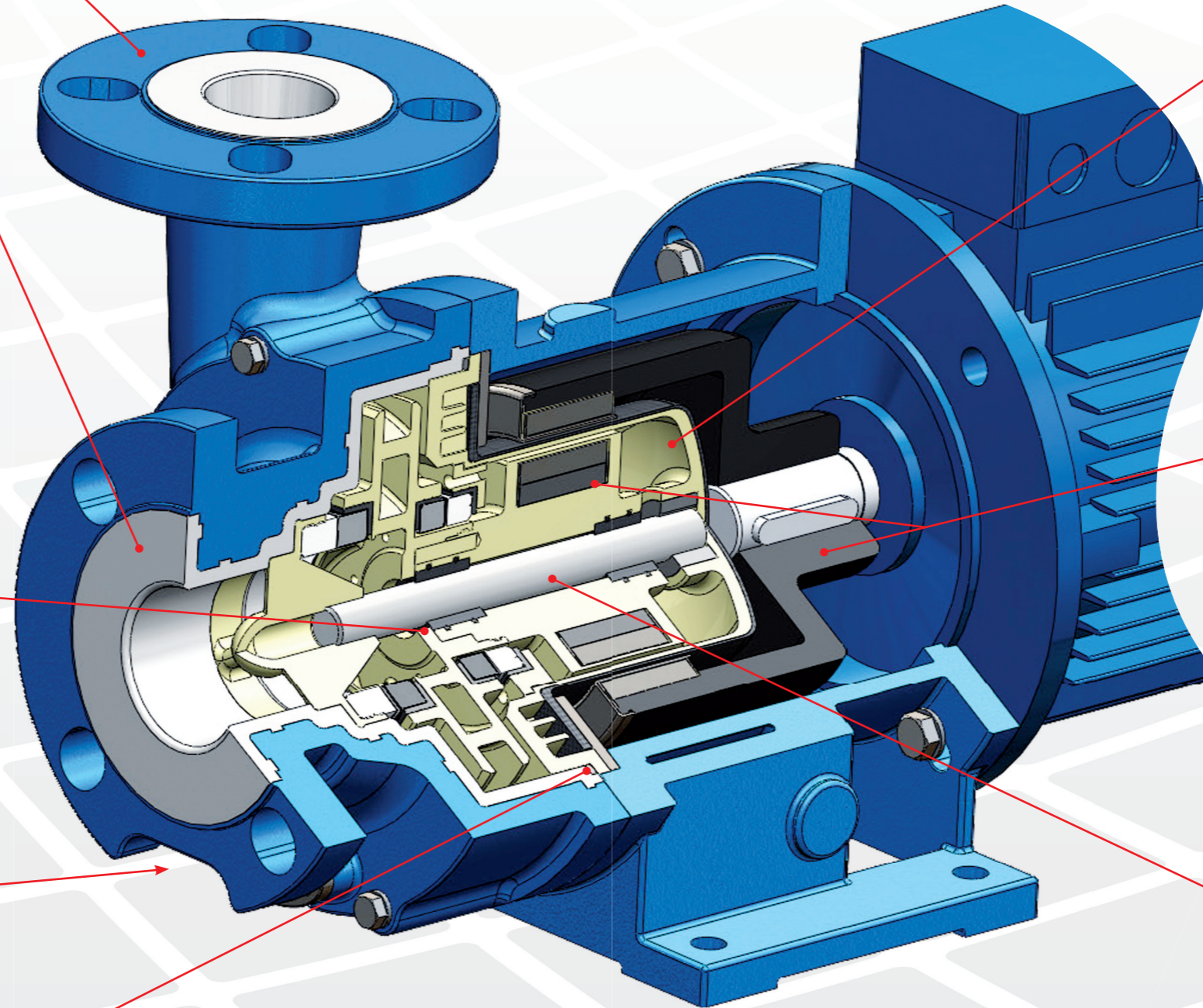


Particular of the drain plug

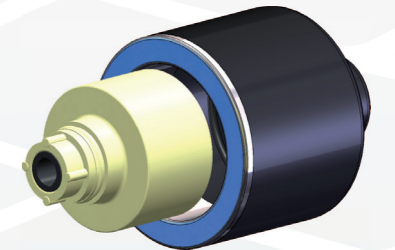


The sealing system with O-Rings prevents from leaking in the atmosphere – different materials available:

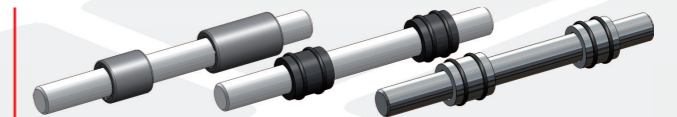
- EPDM
- VITON®
- FEP



The rear shell is made of thermoplastic materials, zero magnetic losses, as PP GFR or PVDF CFR. Outside rear shell cover ellipsoidal profile made of fiber reinforced composite material.



High power synchronous magnetic coupling designed by our Technical Office and with magnetic elements mechanically locked. Rare earth guarantee the magnetic-balancing to avoid the thrust bearing wear and heat generation.



Field assembling of the product lubricated bearing arrangement does not require special tools. The Shaft / Bearing materials are available in three different configurations to provide the best solution for each application:

- PTFEC – ALLUMINA 99,7% (standard);
- CARBON – ALLUMINA 99,7%;
- Silicon Carbide (SSIC) – Silicon Carbide (SSIC).

